





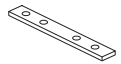
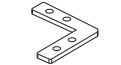





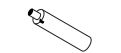





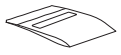
PREDATOR ARENA MARK II BILLIARD LIGHTING PLATFORM

Congratulations on your purchase of the revolutionary Predator Arena Mark II Billiard Lighting Platform.

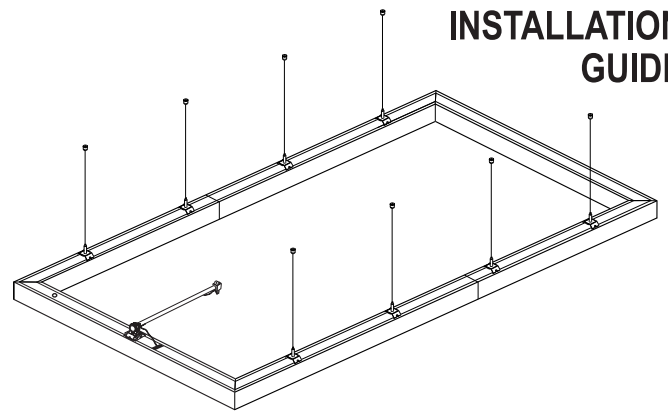
Visit us at www.ArenaBilliardLight.com to complete the warranty and download the wiring diagram of your model. You will find operating instructions for smart home control, RF remote control instructions (Elite models only), FAQs, laser alignment tips, specifications, and troubleshooting.

Contact us at support@perceptivelighting.com


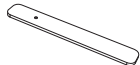




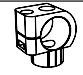







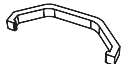


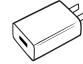

MOUNTING HARDWARE

Item	Quantity	Identification
M4 hex wrench	1	
Mini screw	96	
Straight plate (6-segment model only)	8	
L-plate	1	
Drywall anchor	6-8	
Ceiling screw	6-8	
Ceiling-side coupler	6-8	
Fixture-side coupler	6-8	
3m suspension cable	6-8	
Side-exit cable grip	6-8	
Bracket bolt	6-8	
Bracket	6-8	
Remote control (Elite model only)	1	
Smart Gateway (Elite model only)	1	
Predator emblem	1	
Seam kit	1	

INSTALLATION GUIDE



PLANEVIEW HARDWARE

Item	Quantity	Identification
Laser projection head (with laser)	1	
Laser shield	4	
M4-20mm screw	2	
M4 nut	3	
Spine extension tube	1	
Spine tube cap	2	
Spine C-clamp mount	1	
M6 - 12mm screw	1	
M6 nut	1	
M6 hex wrench	1	
Bracket	1	
Bracket-lock base	1	
Bracket-lock platform	1	
M4-12mm screw	1	
Wire management clip	2	
USB-A to USB-C power cable	1	
USB WiFi/Bluetooth Smart switch	1	
5V 2A USB power adapter	1	
AC Power Arena Tap cable	1	

BE CAREFUL OF SHARP EDGES. ALWAYS SECURE THE SEGMENTS ON A FLAT, STABLE SURFACE



Need:

- Ladder
- Table Cover
- Ruler
- Drill
- Screwdriver
- Plumb bob

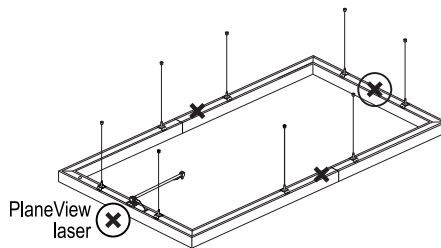
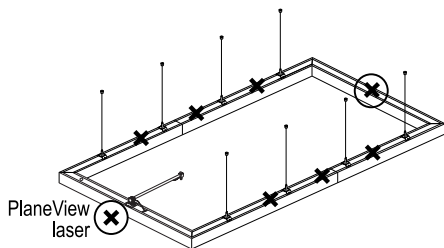


Recommend:

- Laser plumb
- Level
- Carpenters square
- Stud finder

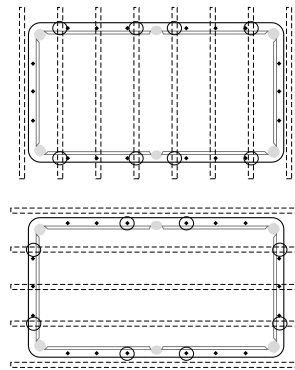
1 Count your parts and have your tools nearby. Two people are able to install the light but extra help can make for an easier installation. Fully cover your table with a thick, protective blanket. The corners and edges are very sharp. Download and print the wiring diagram for your model from our website. www.ArenaBilliardLight.com/wiring

2 Plan your mount points. The mounting brackets cannot be placed directly over a segment seam. For attaching future accessories, do not choose points within 2" of a seam or corners, or along the footstring, headstring, or center of the segments. An alternative option to the drywall anchors is to drill directly into overhead joists with 2" wood screws (not included) that will fit the ceiling-side coupler. Consider configurations which will distribute the weight evenly.

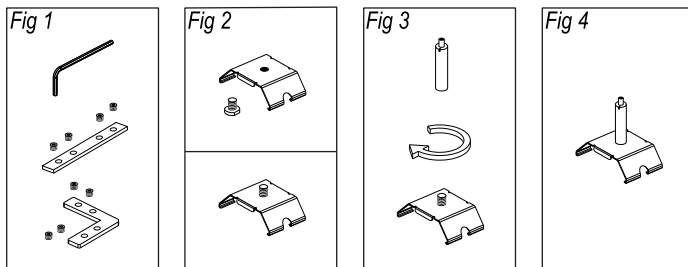


If ceiling joists run parallel to the short sides of your table, we suggest 8 mount points into the joists that lie closest to the 1st, 3rd, 5th, and 7th diamonds.

If ceiling joists run parallel to the long sides of your table, we suggest 4 mount points into the joists above the short segments plus 4 points near the 3rd and 5th diamonds using drywall anchors.

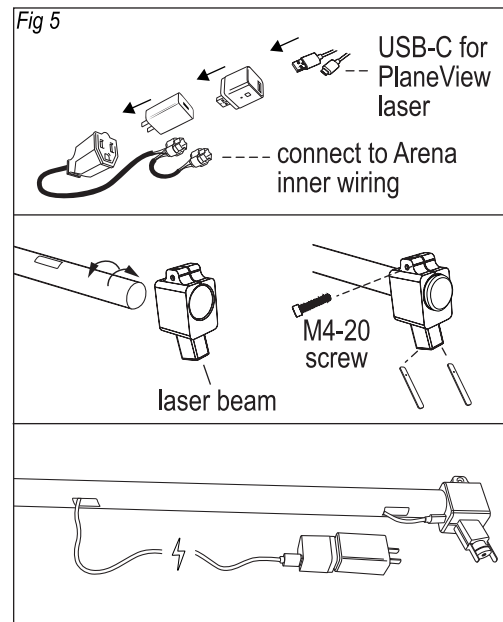


3



Prepare the plates and brackets. Screw in the mini-screws to sit flush with the underside of each plate. Attach each side-exit cable grip to a bracket and tighten the bolt firmly. Set the brackets aside.

Plug the adapter into the Arena tap cable, followed by the USB Smart switch and USB-A to USB-C cable. Gently twist on the laser projection head to the carbon fiber tube. Laser and holes should point down. Once it has been aligned, secure with the M4-20 screw. Avoid overtightening. Insert the laser shields.



CAUTION

CLASS 3R LASER PRODUCT

Diode Laser

Max. output power: **4.95 milliwatts**
Wavelength: **520-532 nanometers** (visible light)
Min. divergence: **0.5 milliradian**
Output: **Continuous (CW)**
Laser hazard classification: **Class 3R, "Caution"**

Laser Safety Facts

Laser hazards

Eye injury from beam
Do not look into the direct or reflected beam; can cause eye injury up to 110 Ft (34m) away.

Visual interference (glare) with pilots and drivers
Interferes with vision up to 2400 ft (730m) away. Can be a distraction up to 4.5 miles (7.3km) away.
Never point any laser towards aircraft or vehicles; it is unsafe and illegal.

Safe use guidance
Class 3R lasers are safe when handled carefully. Do not look into the beam. Avoid accidental exposure to the eyes. Do not aim at aircraft. **This is not a toy.** Always supervise with children.

Additional safety information online
visit <https://www.arenabilliardlight.com/lasersafety>

Manufacturer: Perceptive Lighting, Inc.,
Bayside, NY, USA; www.perceptivelighting.com

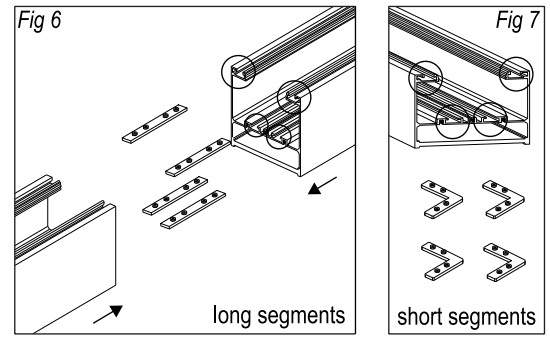
4

On a flat, protected surface, carefully pop up each lid and set these aside in such a way that you will be able to match them to their respective segments later. Take note of the segment that contains the main AC power connection. This segment has 2-3 lids which allows for gaps for wire entry/exit and should be placed above the footstring end of the table. Carefully layout the segments in order according to your model's wiring diagram with the diffuser faced down.

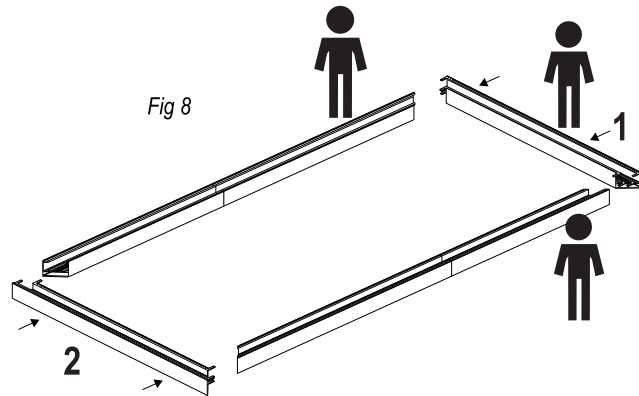
5

For 6-segment models, join the 2 parts of each long segment by inserting the straight plates into the pictured grooves and straddling them over the seams. You may need to loosen and retighten the screws as you adjust the seams to be flush. Tighten the screws securely.

Insert 4 L-plates into each end of the short segments. Loosely screw these into the frame. Do not tighten yet.



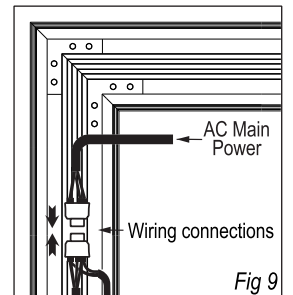
6



Extra help to hold the segments in place while attaching each short end is recommended. Once the L-plates are inserted into the long rails, gradually tighten the screws while holding the seam flush. A carpenter's square can be helpful at this step. Once the plates are screwed tightly, move on to attaching the opposite short segment.

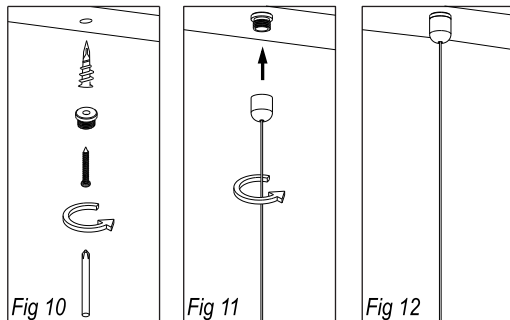
7

Plug in the wiring connections across the segments and incorporate the Arena tap cable according to the wiring diagram. Test the power with an extension cord to check that each segment and PlaneView laser are functioning. Nest the PlaneView laser power connections inside the segment with the USB-C hanging out of the access space. Snap the lids securely in place.



Before connecting AC power, check the wiring color convention standards for your region. For the US power grid, Live (L) = Black, Neutral (N) = White, Ground (G) = Green. Consult a licensed electrician before connecting to your Arena. **(Warning for PRO models: DO NOT connect AC powerlines (L,N,G) to the thinner low voltage (0-10v) DC dimming control wires. This will damage the electronics and void the warranty. Installing an incompatible dimmer can also damage the unit and void the warranty.)** To improve the range for RF remote control on Elite models, thread the antenna wire through a lid gap and use a wire management clip to neatly lay it against the unit.

8

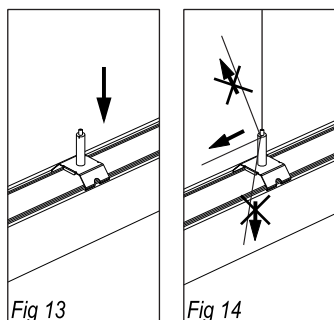


On your covered table, rest the Arena on the rails to center and align to your table. Plan your points and use a plumb bob to mark the ceiling to the corresponding mount points on the lid.

*For drywall ceiling installations**, install drywall anchors securely into the marked ceiling points. Insert the ceiling screw into the ceiling-side coupler and tightly screw into the anchor. **Consult your contractor if your ceiling drywall appears structurally insecure or if you have a different ceiling type.*

Carefully uncoil the suspension cable to avoid tangling and kinking. Thread the end into the fixture-side coupler. Tightly screw the fixture-side coupler into the ceiling-side coupler.

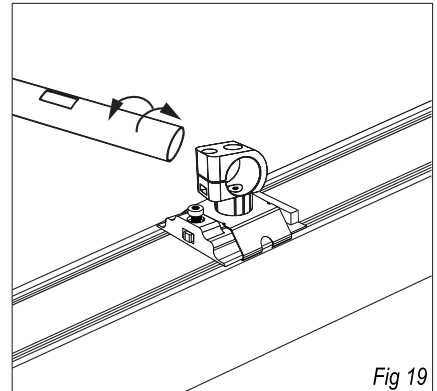
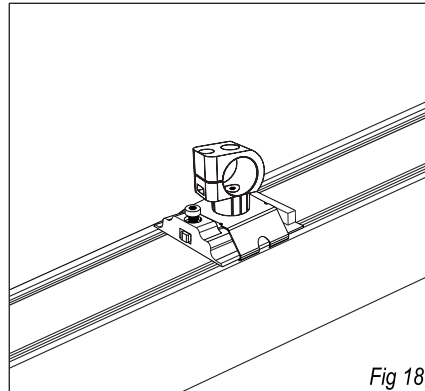
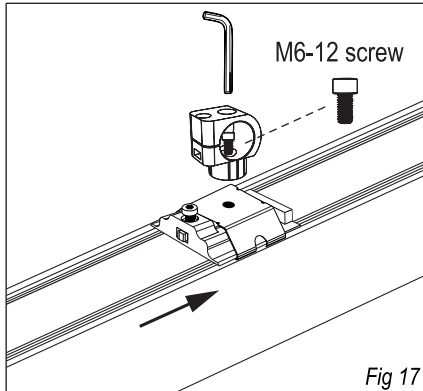
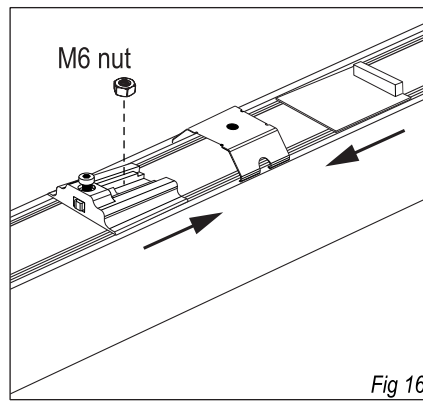
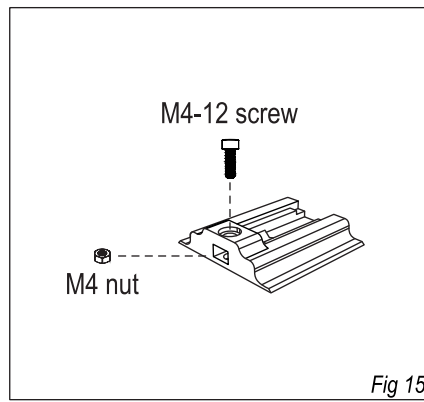
9



Snap the bracket assemblies into place using the marked points on the lids. This is a very tight fitting tension bracket. Once in place, the bracket can only be removed by lifting up the lid. To adjust the position of the bracket, press down while sliding. Thread each suspension cable through the top of the cable grip and pull out (not up or down) until taut. Press the release at the top of the grip to unlock the cable. Adjust the brackets until the cables hang straight down.

Follow the instructions on the seam kit to seal light leakage: Roll a small piece of putty into a thin thread and press into any seam gaps. Seams are sharp so press carefully. Clean the surface and apply seam tapes. Affix with hot setting from a hair dryer. Apply your emblem.

10



Insert the M4 nut in the slot of the bracket-lock base and screw in an M4-12 screw just until the bottom is flush. Snap a bracket onto the center of the short segment nearest to the footstring.

Nest an M6 nut into the bottom of the bracket-lock base, flush with the hex nut nook which will provide the necessary leverage underneath the bracket. Carefully slide the bracket-lock base and bracket-lock platform underneath the bracket.

Affix the Spine C-clamp mount to the bracket with the M6-12 screw. Fasten securely but do not overtighten. Insert the PlaneView laser assembly from Step 3. Adjust so that the laser and holes point down. Plug in the USB-C connection to test the general direction. (After the fixture is raised above the table to its final resting height, the laser assembly will be further adjusted and fine-tuned.)

11

Disconnect from power. Taking care to keep the long segments parallel to the ground, see-saw the fixture up by lifting one long side 8-10" and quickly pulling the slack suspension cables taut to evenly distribute the weight. Do not pull up on a taut cable in an attempt to raise the fixture. Always lift the fixture and then pull the slack. Walk around to the opposite long segment and repeat this process. Continue to alternately raise each long side to reach the desired height. If your ceiling height allows, we recommend 5'-7" above the table bed but due to its low profile even 42" from the table bed is suitable for low ceilings. **Reconnect to main AC power.**

DO NOT CUT THE SUSPENSION CABLES. Coil up the excess cable length and tuck each underneath the bracket. The long cable length is necessary to lower the Arena for maintenance or to add an accessory.

Finish aligning the laser by readjusting the carbon fiber spine and rotating the directional knob on the laser head. Avoid laser exposure to the eyes. Once the laser is aligned, secure the spine clamp and the bracket-lock base. Cap the ends of the spine. Secure any loose wires with the wire management clips. Refer to our website for pairing the remote control (Elite) and enabling smart home control.

